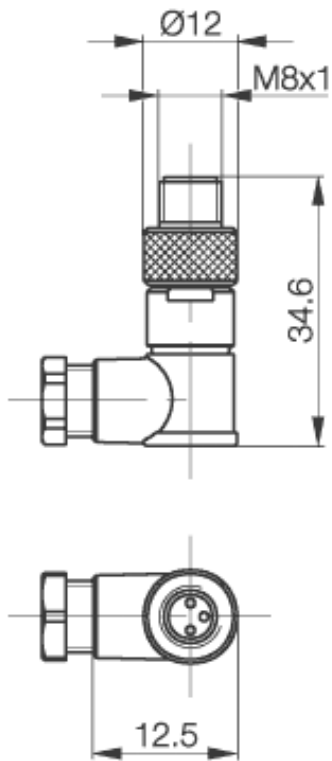


## Accessories: Connectors BKS-S 91-00



PX1608

### Common Data

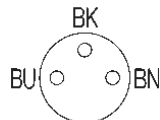
Version	Connector, angle, 3-pin,
Usable with	on Sensors with connection S49 (DC, NO or NC, M8)
Manufacturer	Binder
Ambient temperature	-40°C...+85°C
Function display	no
Supply voltage display	no

### Mechanical Data

Measurements WxHxD or Dia x D	14 x 34.6 x 12
Protection class per IEC 60529	IP67
Cable version	for user assembly
Conductor cross section	3 x 0,25

### Electrical Data

Supply voltage	10...30VDC
----------------	------------



Datasheet number::

Definitions see general catalog.  
If not otherwise noted, ratings according to  
IEC 60947-5-2 (DIN EN60947-5-2)

Balluff GmbH  
Schurwaldstrasse 9  
73765 Neuhausen a.d.F.  
Phone (07158) 173-0 Fax (07158) 5010

Datenblatt by CD-ROM - 04/2007

**BALLUFF**  
sensors worldwide